

Rear Storage Basket - Small Instruction Sheet Model #AC802

Compatibility: Flyer™ M880, Flyer™ L885

⚠ WARNING!

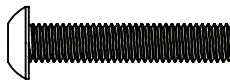
- Read all safety warnings and instructions before using the product. Failure to follow warnings and instructions may result in serious injury or death.
- You must also reference the owner's manual that was shipped with your Flyer™ eBike before using this accessory:



- Incorrect assembly, maintenance, or use of your Flyer™ accessory can cause component failure, loss of control, serious injury, or death. Please note, the assembly of Flyer™ accessories require special tools and mechanical skills. It is highly recommended that the assembly and adjustment are completed by a reputable bicycle mechanic when possible.
- Only for use with the Flyer™ eBike.
- Adding load to accessories may lessen the stability or alter the riding characteristics of the bicycle.
- Maximum Load Capacity: 50 lbs
- Step off of the bike and put the bike on its kickstand before assembling, adjusting or interacting with accessories.

HARDWARE

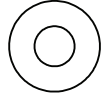
A 4X - M5 27mm Pan Head Screw



B 4X - M5 Lock Washer



C 4X - Washer



TOOLS

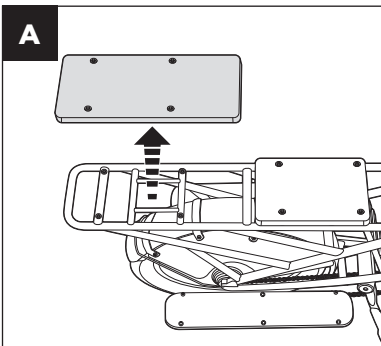
M4 Allen Key



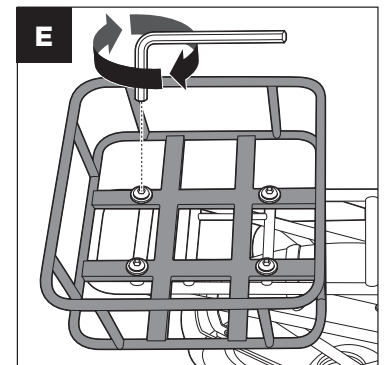
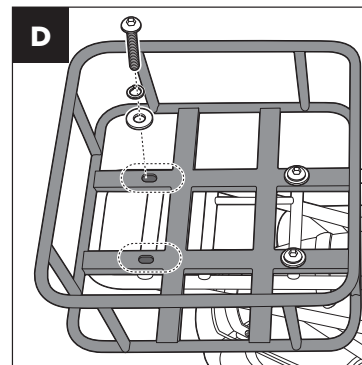
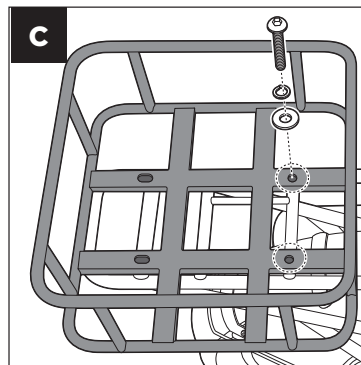
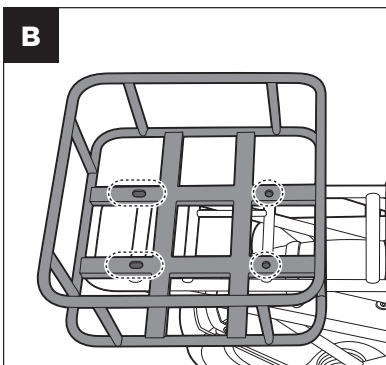
M3 Allen Key



Installing Rear Storage Basket Frame



- For L885 models, remove the wooden seat that is covering the threaded inserts.
- Lay the basket on the bike's rear rack and make sure the holes in the basket line up with the threaded inserts.
- Slide a lock washer onto each 27mm screw. Next, slide a washer onto each screw. Locate the two circle shaped holes in the basket, and finger tighten two screws through the holes into the threaded inserts.
- Finger tighten the other two screws into the slot shaped holes.
- Tighten all screws with the Allen Key to 3Nm.



continued on back →

Attach the Fabric Liner

- A. Place the fabric liner into the basket with the “Flyer™” logo facing backwards.
- B. Snap down all 4 sides.

